



No. 26, Industry East Road 4
SBIP, Hsinchu, Taiwan ROC
TEL: +886-3-5633616
FAX: +886-3-5633696

Notification

TO: All Customers
FROM: Johnson Wu/PMC Technical Marketing Manager
CC: Johnny Lin/PMC Sales VP
Issue Date: November 7, 2005

Purpose: Marking Change for Pm25LV020 and Pm25LV040.

Dear Customers,

We would like to inform you of changes to the markings for Pm25LV020 and Pm25LV040 products, due to the following reason:

- 1. To align the markings of Pm25LV020 and Pm25LV040 with all other SPI products**

Except for the marking changes, we guarantee that there are no other changes to the Pm25LV020 and Pm25LV040.

Please refer to the following pages for marking details

Page 2: 8-pin SOIC Pb-Free

Page 3: 6x5mm WSON Pb-Free

Best regards,
Johnson Wu
PMC Technical Marketing

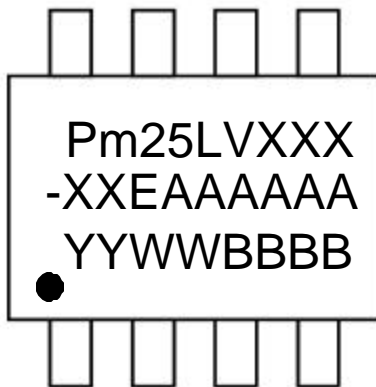
TEL : +886-2-2657-7853 ext. 8122 FAX : +886-2-2657-7834
Email: johnsonwu@pmcflash.com

Programmable Microelectronics Corporation
Headquarters

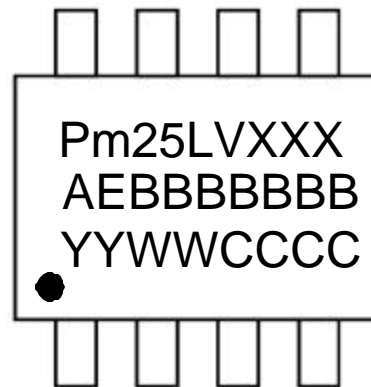
No. 26 Industry East Road 4 Science Based Industrial Park, Hsinchu, Taiwan ROC
TEL: +886-3-563-3616 FAX: +886-3-563-3696
<http://www.pmcflash.com>

8-pin SOIC—RoHS Compliant/Pb-Free

ORIGINAL



NEW



Line 1: Part No: Pm25LV020 or
Pm25LV040

Line 2: -XX : Speed
E: Environmental Marking
RoHS Compliant/Pb-Free
AAAAAA : Lot Number
(max 6 digits)

Line 3: YYWW: Date Code
YY- Years
WW- Weeks
BBBB: Manufacturing Code

Line 1: Part no: Pm25LV020 or
Pm25LV040

Line 2: A: Version code or Blank
E: Environmental Marking
RoHS Compliant/Pb-Free
BBBBBBB: Lot number
(max 7 digits)

Line 3: YYWW: Date Code
YY- Years
WW- Weeks
CCCC: Manufacturing Code

